

# S9033RT/S9043RT/S9053RT

LARGE DECK, ROUGH TERRAIN SCISSOR LIFTS



- Large deck rough terrain scissor lifts
- Excellent rough terrain performance
- Easy to operate
- Heavy duty design
- Ideal for construction applications

 **snorkel**<sup>™</sup>  
[www.snorkellifts.com](http://www.snorkellifts.com)

# LARGE DECK, ROUGH TERRAIN SCISSOR LIFTS

# S9033RT/ S9043RT/S9053RT

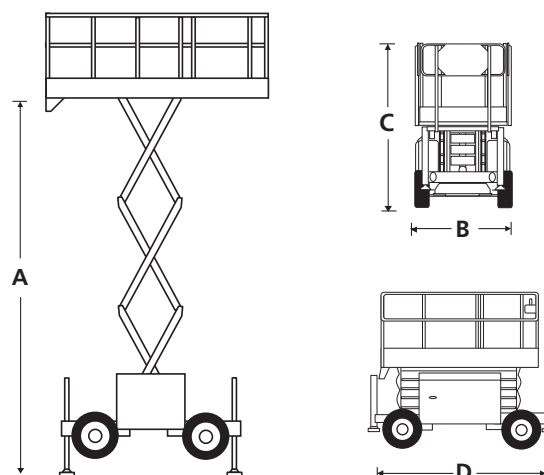
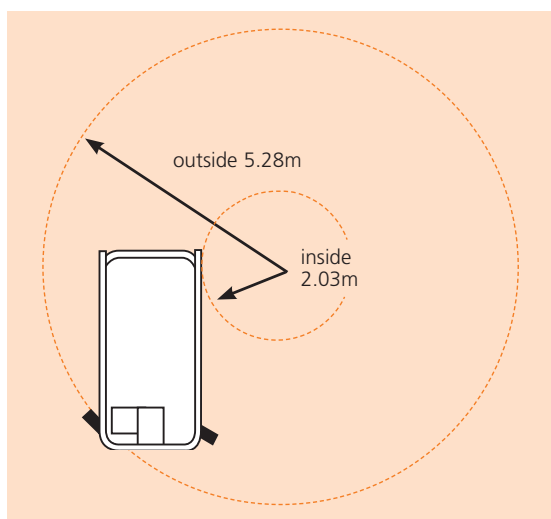
DIMENSIONS	S9033RT*	S9043RT*	S9053RT*
Max. working height	11.8m	15.1m	17.9m
Max. platform height (A)	9.8m	13.1m	15.9m
Platform size (stowed)	3.58m x 2.28m		
Platform size (single deck extended)	4.95m x 2.28m		
Platform size (dual deck extended)	6.7m x 2.28m		
Extension deck length	1.37m	1.37m	1.37m
Overall width (B)	2.28m	2.28m	2.28m
Overall length (D)	3.68m	3.68m	3.68m
Stowed height (C)	2.97m	2.99m	3.2m
Min. height (guardrails folded)	1.98m	2.18m	2.33m
Ground clearance	381mm	381mm	381mm

PERFORMANCE	S9033RT*	S9043RT*	S9053RT*
Platform capacity (SWL)	1,134kg	680kg	680kg
Max. drive height	9.8m	13.1m	9.1m
Max. wind speed	12.5m/s	12.5m/s	12.5m/s
Max. drive speed (stowed)	6.7km/h	6.7km/h	6.7km/h
Max. drive speed (elevated)	0.9km/h	0.9km/h	0.9km/h
Raise/lower time	45/30 sec	50/35 sec	55/40 sec
Gradeability	50%	50%	50%
Max. stabilizer levelling, front to rear	7°	7°	7°
Max. stabilizer levelling, side to side	14°	14°	14°
Inside turning radius	2.03m	2.03m	2.03m
Outside turning radius	5.28m	5.28m	5.28m
Tyres	12 x 33 foam filled		
Controls	proportional joystick		
Drive system	4 wheel drive		

POWER	S9033RT*	S9043RT*	S9053RT*
Power source	Kubota diesel		

WEIGHT	S9033RT*	S9043RT*	S9053RT*
Weight	5,443kg	6,350kg	7,484kg

## TURNING RADIUS



## STANDARD FEATURES

- 4 wheel drive
- 4 hydraulic outriggers with automatic levelling (S9053RT only)
- Single manual roll-out deck extension
- Proportional controls
- Foam filled tyres
- Power line to platform
- Drive motion alarm
- Descent alarm
- Locking articulating axle
- Manual lowering valve
- Flashing amber light
- Dual lanyard attachment points
- Hour meter & on-board diagnostics display
- 2 year parts & labour, 5 year structural warranty
- CE approved

## OPTIONS

- Special paint colours
- Nylon spreader pads (set of 4)
- Environmental hydraulic oil
- Dual fuel
- LPG power
- Cold weather package (block heater + battery warm up)
- Single powered extension deck
- Dual powered extension decks
- Hydraulic 2kW generator
- Hydraulic 12kW generator
- 4 hydraulic outriggers with automatic levelling (S9033RT + S9043RT only)

**snorkel** [www.snorkellifts.com](http://www.snorkellifts.com)

Vigo Centre, Birtley Road,  
Washington, Tyne & Wear,  
NE38 9DA, U.K.

t: +44 (0) 845 1550 057  
e: sales.emea@snorkellifts.com