



GMV A/S - 13

ErgoMover

Battery powered transport trolley for flexible transport and handling of heavy loads in construction and in the industry.





What is an ErgoMover?

Ergonomical and efficient handling of plasterboards and other building materials

The ErgoMover is the original electric transport trolley that is designed to cope with the heavy loads on site.

The ErgoMover is designed to transport and handle full stacks of plasterboard and to transport all other building materials in spaces where it is not possible to use forklift truck or other machines equipped with forks.

THE ERGOMOVER COMES IN THREE DIFFERENT OVERALL MODELS

- ErgoMover Go
- ErgoMover Lift & Go
- ErgoMover Manipulator

As the only brand on the market you can choose an ErgoMover in a range of different configurations depending on the specific need.

E.g. ErgoMover Go and ErgoMover Lift & Go is made in versions for ground plates, with rotatable platform or with extraction of table.

WITH THE ERGOMOVER YOU ALWAYS GET

- Enormous traction
- Large battery capacity
- 4-wheel steering (front+rear axle steers simultaneously)
- Safety switch on the driving function
- Emergency stop
- Locker with easy access for fuses etc.

Why should you invest in an ErgoMover?



Many manual transport trolleys are available in the market, they are cheap purchasing, but expensive to operate, as a lot of workforce is required to transport the trolley with a load.



Often you forget that the labour cost can be quite substantial, when buying manual transport trolleys. The increased wear on the back, shoulders and legs can lead to sick leaves, which is another hidden factor.



Investing in an ErgoMover battery powered transport trolley enables a single operator to handle heavy loads up to 1500 kgs without physical effort - a significant saving in labour cost!



With the ErgoMover you eliminate any strain on back, shoulders and legs, as the trolley's electric motor drives the trolley forward!



ErgoMover Go

A powerful transport trolley without hydraulic functions for applications that only require transport of materials. Equipped with an all-terrain electric motor and 4-wheel steering, the trolley is ideal for construction sites.

DIFFERENT MODELS

The ErgoMover Go is available with several different types of standard flat beds, for example with bearers so that non-palletized goods can be set down on it from a truck-mounted crane.

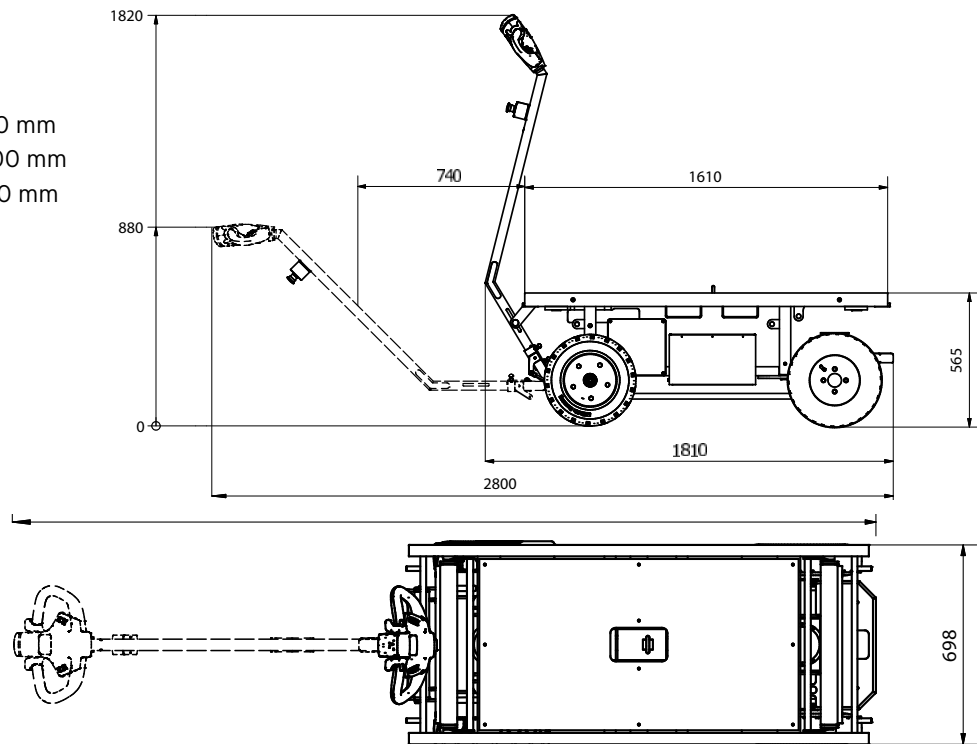
Other options are a flat bed with lashing eyelets which makes it ideal, for example, for lashing racks, so that glass panels can be transported through narrow passages.



ErgoMover Go

SPECIFICATIONS*

- Lifting capacity: 1.500 kg
- Length (without handle): 1.680 mm
- Length (w. handle down): 2.800 mm
- Transport of plates up to 3000 mm
- Width narrow shaft: 698 mm
- Width wide shaft: 790 mm
- Height: 565 mm
- Weight: 311 kg
- Voltage: 24 Volt
- Max. driving speed: 0-6 km/h



UNIQUE USEABILITY AND SAFETY

The ErgoMover Go is equipped with an ergonomical and userfriendly handle with built-in safety functions which lives up to the most strict safety norms. The belly button makes sure the operator is not caught between machine and the wall. Fall arrest device will bring the machine to a complete stop when you let go of the handle.

The ErgoMover Go is also equipped with a built-in charger, two joists, four material supports and a parking bracket for the steering handle.

CUSTOMISED ERGOMOVER GO MODELS

- **ErgoMover Go** - with 360° rotatable platform for end-less rotation of the load.
- **ErgoMover Go Cargo** - with large platform and lashing points ideal for e.g. transport of glas rack.
- **ErgoMover Go XL** - for 2x1m ground plates.
- **ErgoMover Go XL** - low model with 2x1m platform.

*The dimensions are indicative and may vary +/- 10mm



ErgoMover Lift & Go

ErgoMover Lift & Go is an electric battery powered transport trolley with hydraulic lift of the flat bed. The trolley is developed to replace the manual plasterboard carriers by assisting in manual heavy lifting tasks and optimising the handling of plasterboards and other building materials.

LARGE CAPACITY

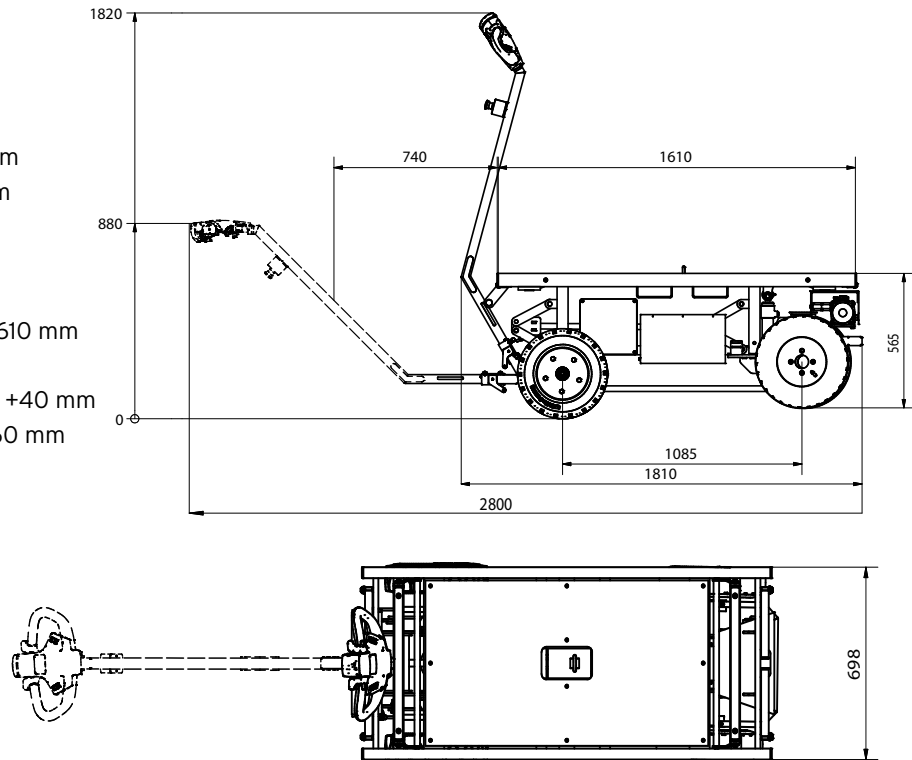
The trolley has a powerful electric motor and 4-wheel steering and is suitable for driving off-road and on construction sites. The ErgoMover Lift & Go is able to lift the flat bed by 150mm which makes it ideal, for example, for placing plasterboards on trestles. It can transport and lift an impressive 1.500 kg.



ErgoMover Lift & Go

SPECIFICATIONS*

- Lifting capacity: 1.500 kg
- Length (without handle): 1618 mm
- Length (w. handle down): 2.800 mm
- Transport of plates up to 3000 mm
- Width narrow shaft: 698 mm
- Width wide shaft: 790 mm
- Min. height: 565 mm
- Min. height w. rotatable platform: 610 mm
- Max. height: 715 mm
- Height w. material supports down: +40 mm
- Height w. material supports up: +60 mm
- Weight: 311 kg
- Voltage: 24 Volt
- Max. driving speed: 0-6 km/h



UNIQUE USEABILITY AND SAFETY

The ErgoMover Lift & Go is equipped with an ergonomical and userfriendly handle with built-in safety functions which lives up to the most strict safety norms. The belly button makes sure the operator is not caught between machine and the wall. Fall arrest device will bring the machine to a complete stop when you let go of the handle.

The ErgoMover Go is also equipped with a built-in charger, two joists, four material supports and a parking bracket for the steering handle.

CUSTOMISED ERGOMOVER LIFT & GO MODELS

- **ErgoMover Lift & Go** - with rotatable platform. The ErgoMover Lift & Go is available with 360° rotatable platform for endless rotation of the load. Very practical when e.g. plates are to be put down onto trestles.
- **ErgoMover Lift & Go Flex** - adjust the platform to fit your load. The platform has three extraction possibilities: 1.777 mm, 2.270 mm or 2.470 mm.

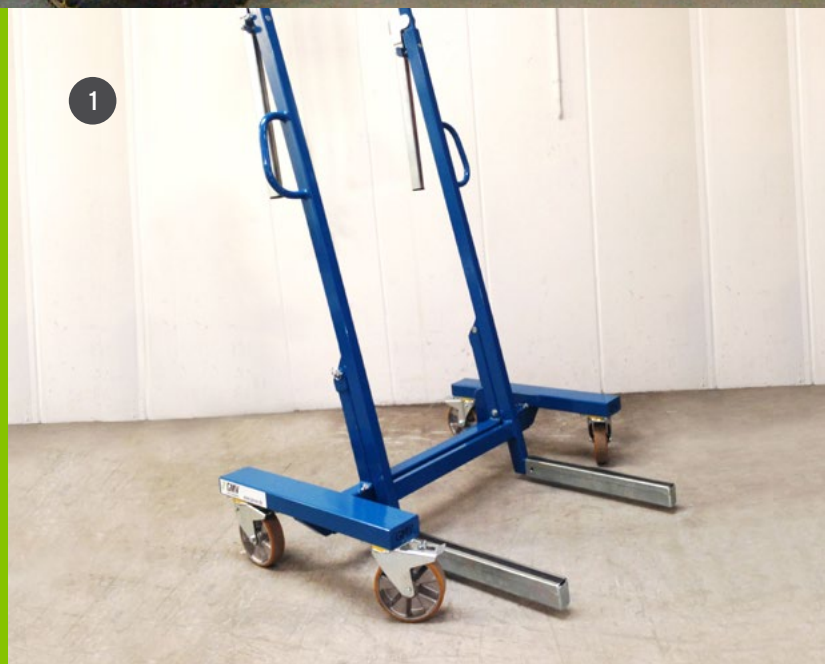
*The dimensions are indicative and may vary +/- 10mm



ErgoMover Manipulator

The ErgoMover Manipulator is a unique self-propelled plate trolley which, besides being able to set down stacks of plasterboards on trestles, can also raise a stack of plasterboards to the vertical position. Boards can be set down on an ErgoLoader, so the ErgoMover is free to pick up another stack or the stack can be left on the ErgoMover and be mounted on the wall individually with the ErgoMounter.

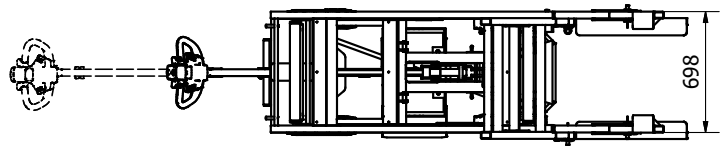
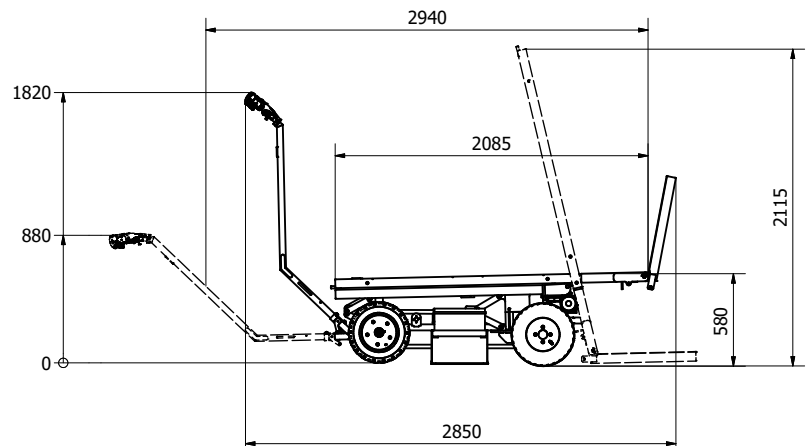
The ErgoMover Manipulator, Ergoloader and ErgoMounter are three unique units that together form a system for conveniently transporting whole stacks of plasterboard all the way from the truck to the wall without at any time requiring manual lifting of a single board.



ErgoMover Manipulator

SPECIFICATIONS*

- Lifting capacity when driving: 1.200 kg
- Lifting capacity when tilting: 1.100 kg
- Length (without handle): 1.670 mm
- Transport of plates up to 3000 mm
- Width narrow shaft: 700 mm
- Width wide shaft: 790 mm
- Min. height: 575 mm
- Max. height: 725 mm
- Weight (without forks): 425 kg
- Voltage: 24 Volt
- Max. driving speed: 0-6 km/h



SAFETY

All lifting and tilting functions are driven by a powerful electric hydraulic system with built-in safety features. The ErgoMover Manipulator has been developed in collaboration with professional users and meets all requirements for safe and reliable operation.

1

ERGOLOADER

The ErgoLoader - the efficient mobile plate rack with wheels that can receive an ENTIRE pallet of plasterboard (42 sheets) in the upright position directly from the ErgoMover Manipulator. The plasterboards are then stores on the Ergo-Loader until they are to be mounted onto the wall. Hereby they take up a minimum of floor space. The ErgoLoader are safely and easily handled by one person.

The ErgoLoader comes with two sets of forks:

- Long forks for a full pallet of plasterboards (42 sheets)
- Short forks for half pallets (21 sheets)

When the short forks are mounted, the ErgoLoader can pass through a door opening with half a pallet of plasterboard.

2

ERGOMOUNTER

The ErgoMounter is a unique plasterboard mounting trolley for ergonomic and efficient fitting of drywalling.

When mounting plasterboard on walls, it is now possible with ErgoMover Manipulator and ErgoMounter, to transport full pallets of plasterboard directly from the crane and raise them to the vertical position for mounting on the wall without any back strain

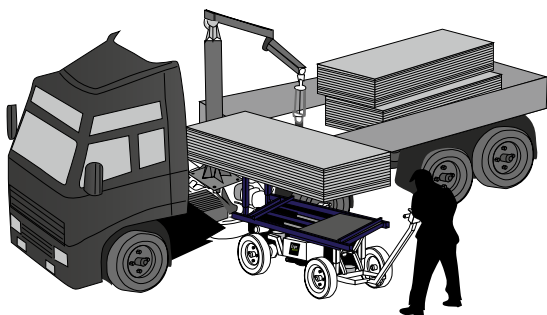
The ErgoMounter is a flexible tool that can be used for mounting all panel widths and - heights. The unique design means that ErgoMounter can be stored with a plate ready for installation. Large pneumatic wheels for maneuverability - even in often very uneven floors.

*The dimensions are indicative and may vary +/- 10mm

So easy with ErgoMover...

From delivery to installation

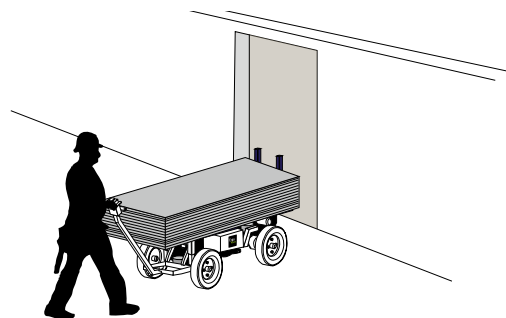
- 1 ErgoMover picks up stacks of drywall directly from truck



NB!

Tilting of a whole stack of drywall.
For both whole and half stacks of drywall!

- 2 Moving inside building with powered wheel drive



- 3 Horizontal unloading of stacks of drywall on trestles or vertical unloading of stacks of drywall in ErgoLoader



- 4 Picking up plates - ready to install on wall



- 5 ErgoMounter Installing drywall on steel or wooden frame system



SPECIFICATIONS*

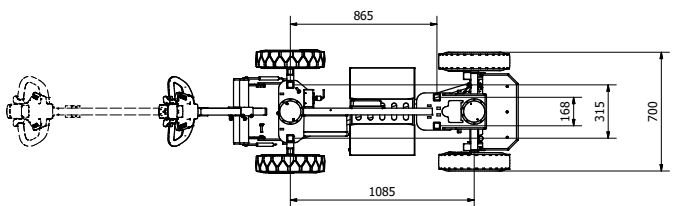
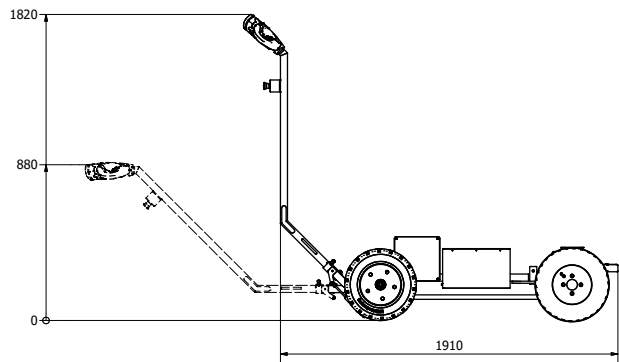
- Lifting capacity: 1.500 kg
- Length (without handle): 1.700 mm
- Width: 690 mm
- Width: 575 mm
- Weight: 275 kg
- Voltage: 24 Volt
- Max. driving speed: 0-6 km/h

UNIQUE USEABILITY AND SAFETY

The ErgoMover GO OEM is equipped with an ergonomical and userfriendly handle with built-in safety functions which lives up to the most strict safety norms. The belly button makes sure the operator is not caught between machine and the wall. Fall arrest device will bring the machine to a complete stop when you let go of the handle.

The ErgoMover Go OEM is also equipped with a built-in charger and a parking bracket for the steering handle.

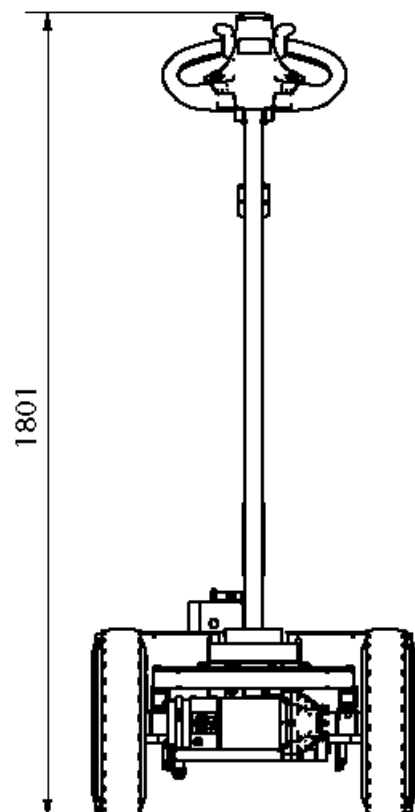
**The dimensions are indicative and may vary +/- 10mm*



ErgoMover Go OEM

As something completely new we are offering you the possibility to only purchase an ErgoMover Go undercarriage without the platform. This gives you the opportunity to adjust the trolley exactly as you wish.

The undercarriage has all the excellent qualities from the ErgoMover Go, like the powerful electric motor and 4-wheelsteering which makes it ideal for driving in an outdoor terrain.



The company GMV A/S was founded in 1988. In 2008, the company was taken over by Jesper Faurkov and Erik Pedersen. The vision of GMV is:

GMV must be at the cutting edge of market needs, and match these needs by developing unique technical solutions which aid heavy manual lifting with modern design.

A HEALTHY WORKING ENVIRONMENT MENAS HAPPY EMPLOYEES

GMV provides solutions for heavy manual lifting for the building and manufacturing industries.

CONSULTING, ENGINEERING AND PLANNING

We are with you from start to finish. We provide qualified advice and listen to your needs.

THE MARKETS BEST SOLUTIONS AND PRODUCT BRANDS

We provide innovative solutions that suit your needs.

LOCAL COMPANY WITH GLOBAL SALES

With our strong dealer network, we sell products world-wide.

EDUCATION AND SERVICE

Our highly trained experts guide and instruct distributors and end users.

ASSEMBLY AND MAINTENANCE CHECK

Our strong team is responsible for assembly and service, both locally and internationally.

PRODUCT DEVELOPMENT

GMV develops products from scratch. Focus is always on a good working environment.

MODERN INDUSTRIAL DESIGN

Our award-winning Danish design is combined with unique technical solutions for both the building and manufacturing industries.

DANISH PRODUCTION LINE ACCORDING TO EUROPEAN STANDARDS

We have our own local production and use local suppliers. This ensures local jobs and high quality.

THOROUGH FACTORY TESTING AND DOCUMENTATION

All of our products undergo rigorous testing before leaving the factory and comprehensive technical documentation always accompanies our products.

TRAINING FOR SERVICE TECHNICIANS

To ensure that our products last as long as possible and that local laws are respected, we conduct thorough training with your service technicians - both nationally and internationally.



GMV A/S
Industriparken 1
DK - 7182 Bredsten

Tel: +45 7573 8247
E-mail: post@gmvas.dk