



FASSI GROUP



ZEBRA 16

Articulated Boom Lift

Built to last

MAIN FEATURES

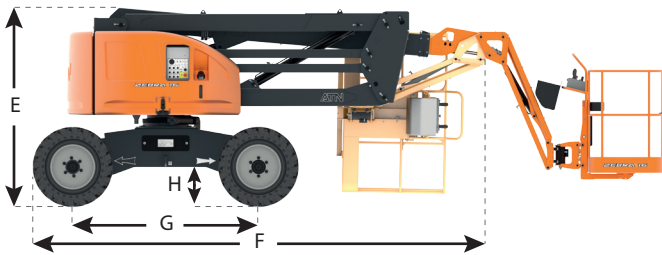
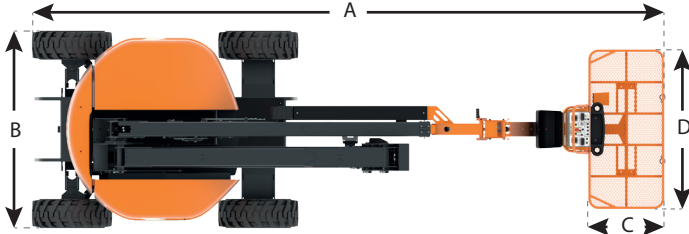
Working height	16,40 m / 53,80 ft
Maximum horizontal outreach.....	9,40 m / 30,84 ft
Gradeability.....	45 %

▲ STANDARD EQUIPMENT

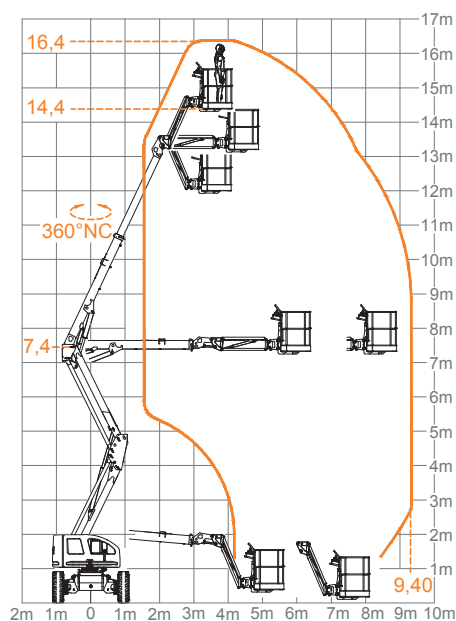
- 4 wheel drive
- Oscillating axle
- Non-continuous 360 ° turret rotation
- 180 ° platform rotation
- Jib tilt angle 133°
- 230kg load capacity
- 45% gradeability
- 5° Tilt
- Drive at full height
- Overload sensor
- Hour meter
- Alarm
- On-board diagnostic colour LCD console
- Anti crush system
- Swing out engine tray
- Wide opening covers

★ ACCESSORIES & OPTIONS

- Anti-crushing system (ACS)
- Generator
- Power supply in the platform
- Compressed air plug in platform
- Flashing beacon
- Extreme cold kit
- Extreme heat kit
- Motion alarm
- Movement cut off at 5° tilt
- Platform working lights
- Oil (HV 32 /bio/ food-grade)
- Non-marking tyres
- Customer colours paint



This product complies with European regulations in force.
Due to our constant improvement policy, ATN reserves the right to many any modifications without any prior notice.



Working height	16,40 m / 53,80 ft
Floor height	14,40 m / 47,24 ft
Maximum horizontal outreach	9,40 m / 30,84 ft
Knuckle height	7,40 m / 24,27 ft
Load capacity	230 kg / 507 lbs

A	Length	7,08 m / 23,22 ft
B	Width	2,19 m / 7,18 ft
C	Platform length	0,86 m / 2,82 ft
D	Platform width	1,80 m / 5,90 ft
E	Height	2,25 m / 7,38 ft
F	Length (transport position)	5,08 m / 16,66 ft
G	Wheelbase	2,10 m / 6,88 ft
H	Ground clearance (machine centre)	0,40 m / 1,31 ft

Turret rotation	360° NC
Platform rotation	180°
Tail swing	0
Jib tilt angle	133°
Drive speed (stowed)	6 km/h / 3,72 mph
Drive speed (raised)	0,9 km/h / 0,56 mph
Gradeability (stowed)	45%
Maximum tilt	5°
Inside turning radius	1,72 m / 5,64 ft
Outside turning radius	4,55 m / 14,92 ft
Total weight	7200 kg / 15873 lbs
Ground pressure	1393 kN/m ²

Wheel size	33x12-20
Diesel engine	KUBOTA
Fuel tank capacity	60 L
Hydraulic tank capacity	85 L

Ri : Inside turning radius
Re : Outside turning radius

