



FASSI GROUP



ZEBRA 12

Articulated Boom Lift

Built to last

MAIN FEATURES

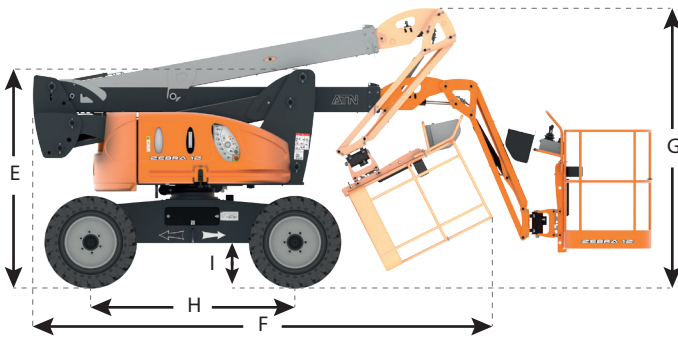
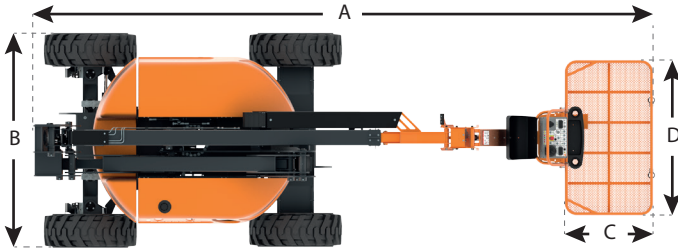
Working height.....	12,20 m / 40,02 ft
Maximum horizontal outreach.....	8,60 m / 28,21 ft
Tail swing.....	0 m / 0 ft

▲ STANDARD EQUIPMENT

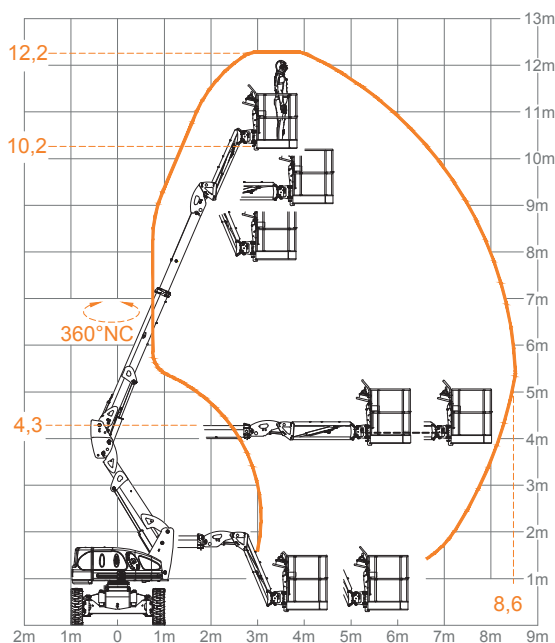
- 4 wheel drive
- Oscillating axle
- Non-continuous 360 ° turret rotation
- 180 ° platform rotation
- Jib tilt angle 133°
- 230kg load capacity
- 40% gradeability
- 4° Tilt
- Drive at full height
- Overload sensor
- Hour meter
- Alarm
- On-board diagnostic colour LCD console
- Control box Cover
- Swing out engine tray
- Wide opening covers

★ ACCESSORIES & OPTIONS

- Power supply in the platform
- Compressed air plug in platform
- Anti-crushing system (ACS)
- Generator
- Extreme cold kit
- Extreme heat kit
- Flashing beacon
- Motion alarm
- Movement cut off at 4° tilt
- Battery charger kit
- Platform working lights
- Oil (HV 32 /bio/ food-grade)
- Non-marking tyres
- Customer colours paint



This product complies with European regulations in force.
Due to our constant improvement policy, ATN reserves the right to many any modifications without any prior notice.



Working height	12,20 m / 40,02 ft
Platform height	10,20 m / 33,46 ft
Horizontal outreach	8,60 m / 28,21 ft
Knuckle height	4,28 m / 14,04 ft
Load capacity	230 kg / 507 lbs

A	Length	6,05 m / 19,84 ft
B	Width	2,00 m / 6,56 ft
C	Platform length	0,86 m / 2,82 ft
D	Platform width	1,51 m / 4,95 ft
E	Height	2,10 m / 6,89 ft
F	Length (transport position)	4,50 m / 14,76 ft
G	Height (transport position)	2,60 m / 8,53 ft
H	Wheelbase	2,00 m / 6,56 ft
I	Ground clearance (machine centre)	0,37m / 1,21 ft

Turret rotation	360° NC
Platform rotation	180°
Tail swing	0
Jib tilt angle	133°
Drive speed (stowed)	6 km/h / 3,72 mph
Drive speed (raised)	0,9 km/h / 0,56 mph
Gradeability (stowed)	40%
Maximum tilt	4°
Inside turning radius	1,72 m / 5,67 ft
Outside turning radius	4,28 m / 14,04 ft
Total weight	5250 kg / 11574 lbs
Ground pressure	1275 kN/m ²

Wheel size	31x10-20
Diesel engine	KUBOTA
Fuel tank capacity	50 L
Hydraulic tank capacity	48 L

Ri : Inside turning radius
Re : Outside turning radius

